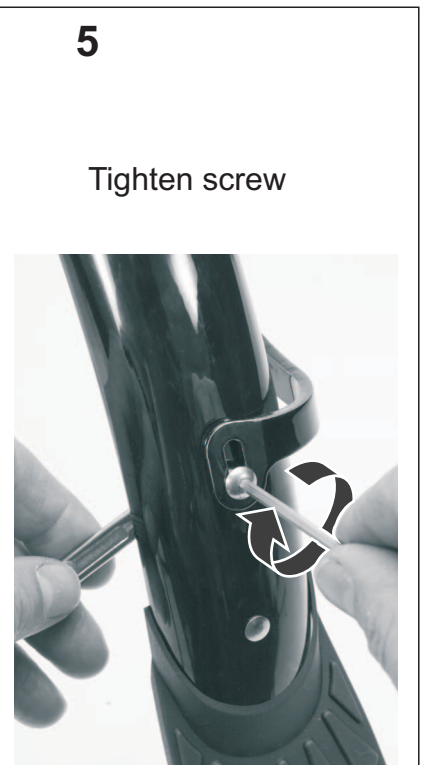
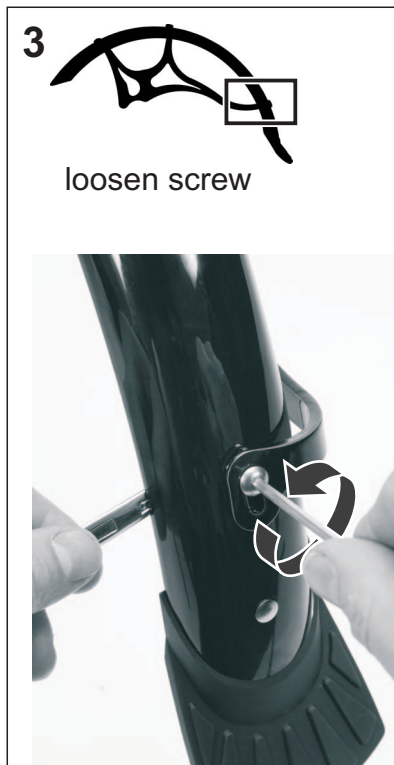
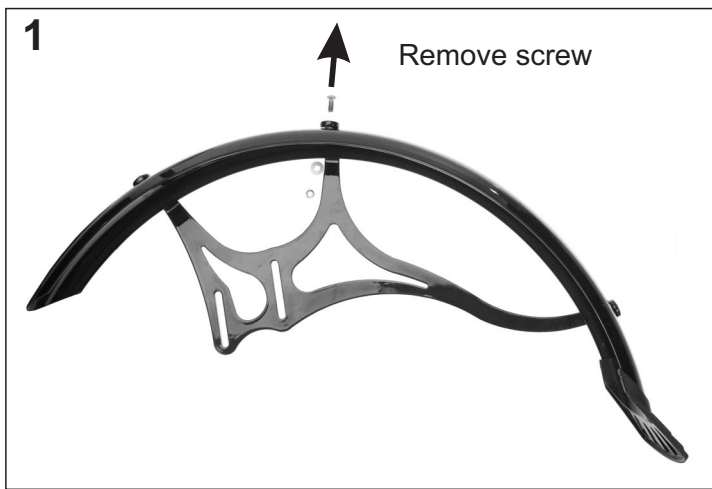
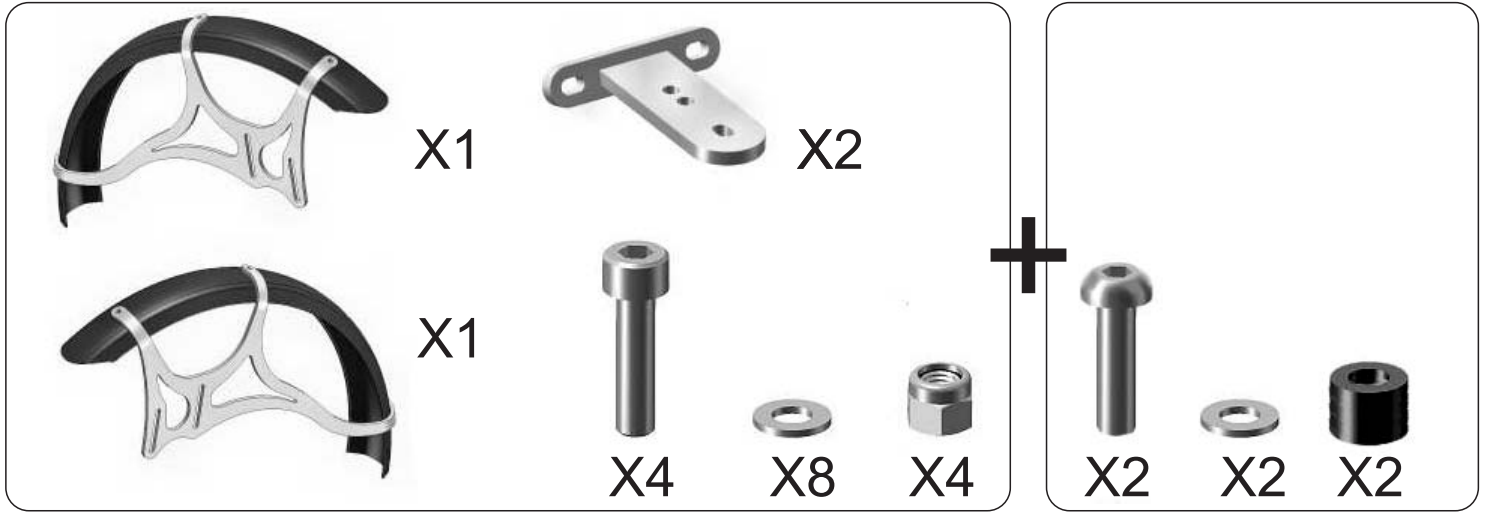
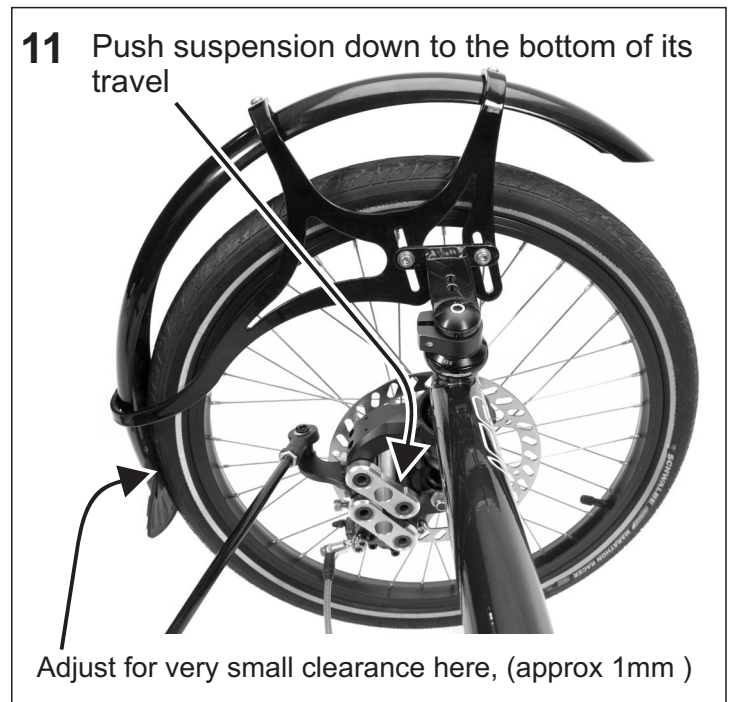
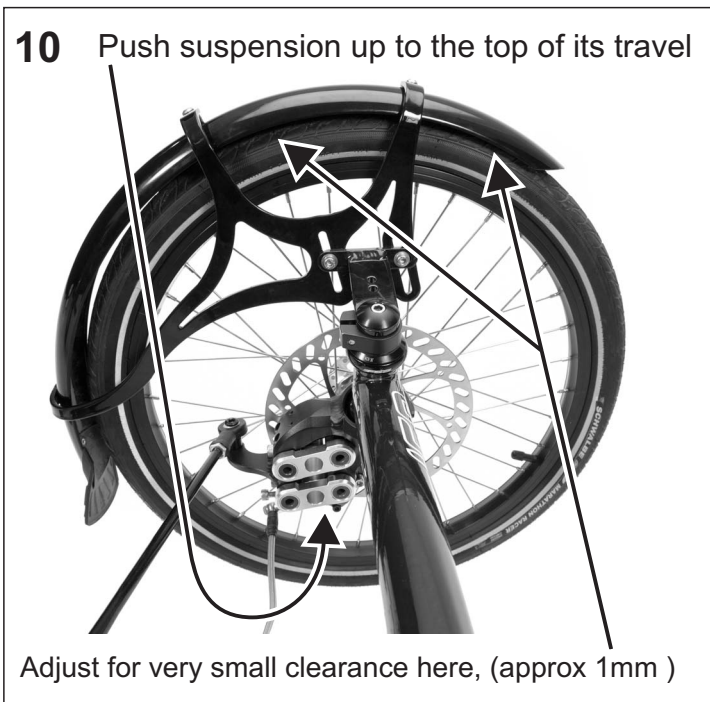
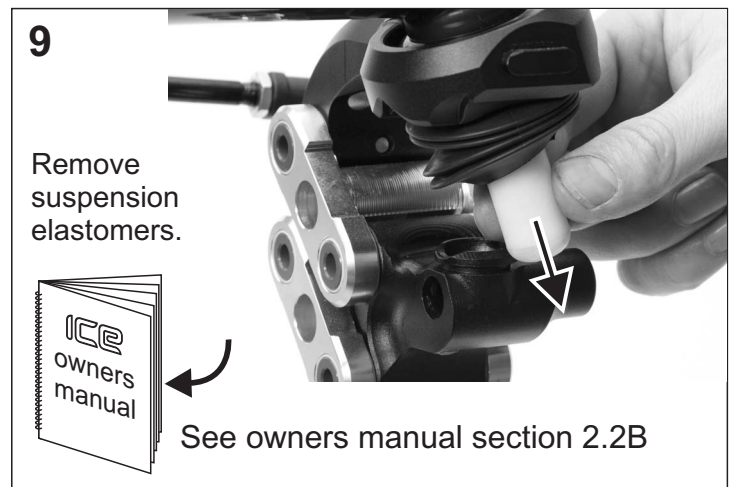
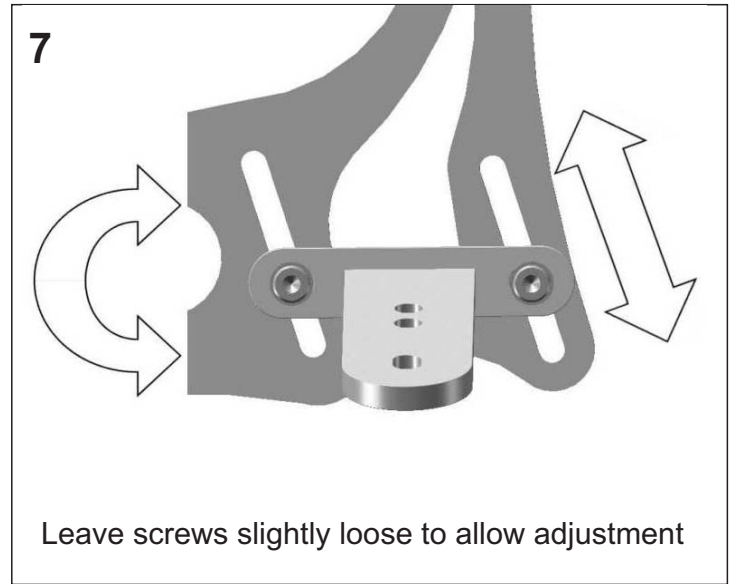
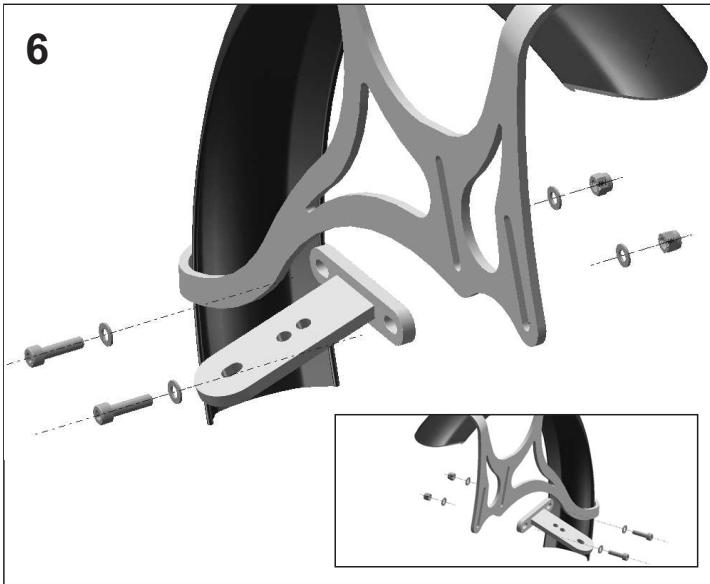




Front mudguard/fender fitting instructions for trikes with front suspension.





12 Tighten all screws and reinstall elastomers (see owners manual section 2.2B)



ICE (Inspired Cycle Engineering Ltd)
 Unit 9, Spencer Carter Works.
 Tregonigge Ind Est.
 Falmouth
 Cornwall. TR11 4SN
 Tel: +44-1326-378848 Fax: +44-1326-379879
 e-mail sales@icetrikes.co www.icetrikes.co v2