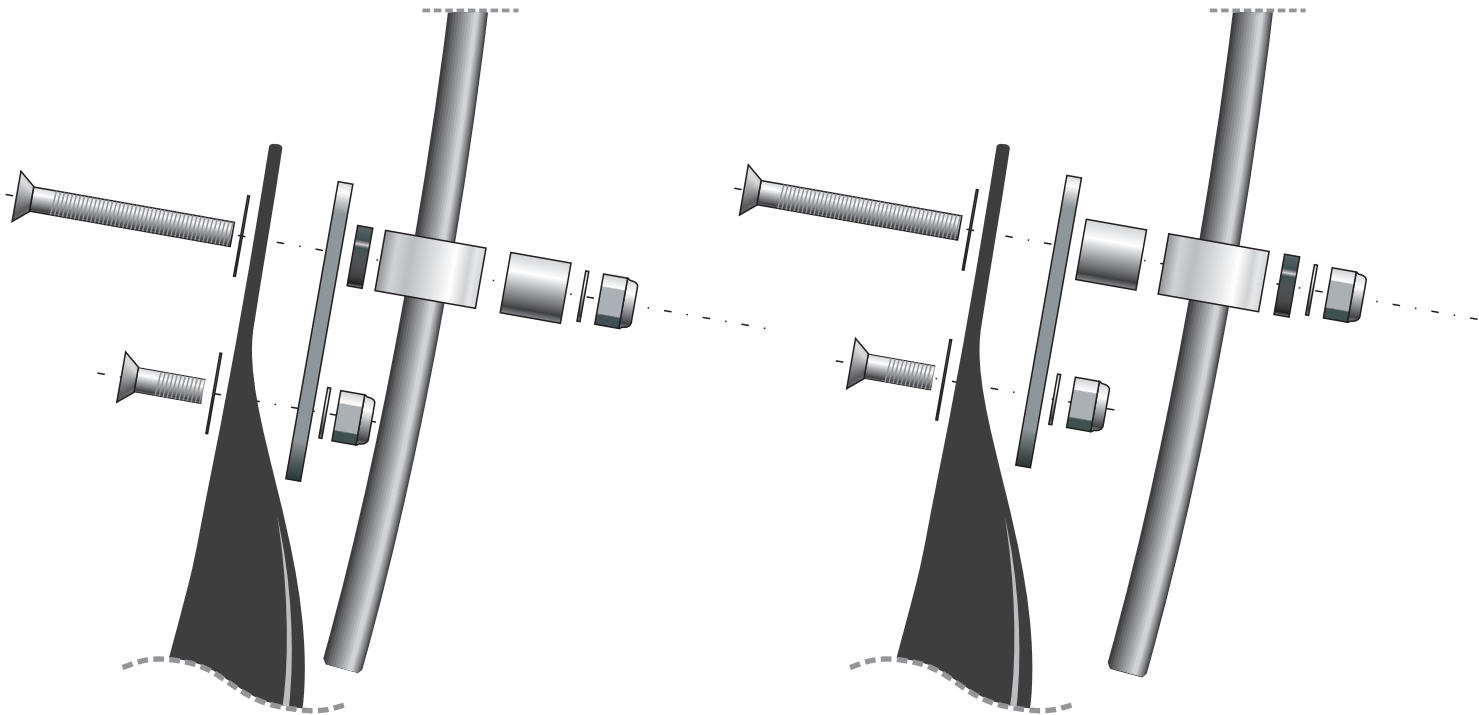




Neck-rest for hard-shell seat

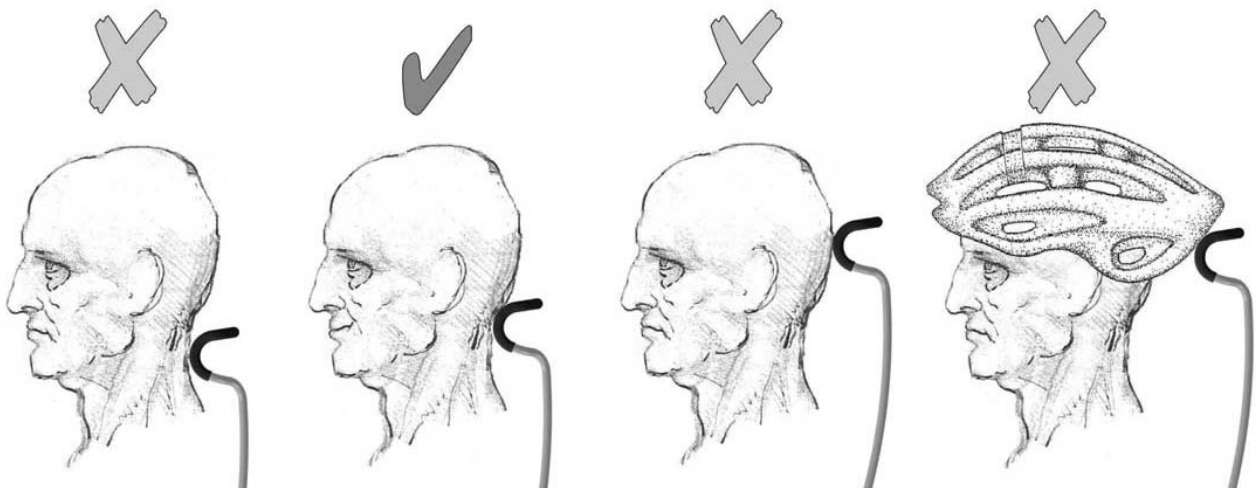
On a hard-shell seat, the neck rest is fastened to the seat using 2 small clamps and a triangular backing plate. Assemble the neck rest as shown in the diagram below;



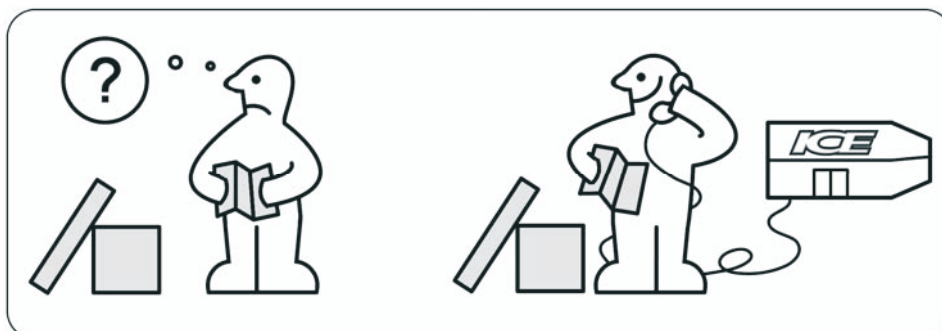
the location of the aluminium and black plastic spacers can be altered to adjust the closeness of the neck rest from the seat.



The neck rest light mount is easily installed. Slip the neck rest frame from the bracket, slide the mount over one leg, and reinstall the frame onto the bracket. Slide the mount to a suitable height, and tighten the grub screw to lock in place.



The neck rest is adjustable for height and is designed to suit a wide range of riders. We have found the best position for the neck rest is one where the pad sits just under the base of the skull. This allows the rider to wear a helmet, and minimises any transmission of road vibration to the rider's head. To adjust the neck rest, slacken off the 2 adjuster nuts and move the neck rest to the desired position. Most people find the best position is where it doesn't touch your neck or head when you are riding on level ground, but allows you to rest your head when you are climbing. Making sure that it is upright when viewed from the rear, tighten the two nuts.



ICE

ICE (Inspired Cycle Engineering Ltd.)
 Unit 9, Spencer Carter Works. Tregonigge Ind Est.
 Falmouth, Cornwall. TR11 4SN
 Tel & FAX +44-1326-378848
 e-mail sales@ice.hpv.co www.ice.hpv.co v2